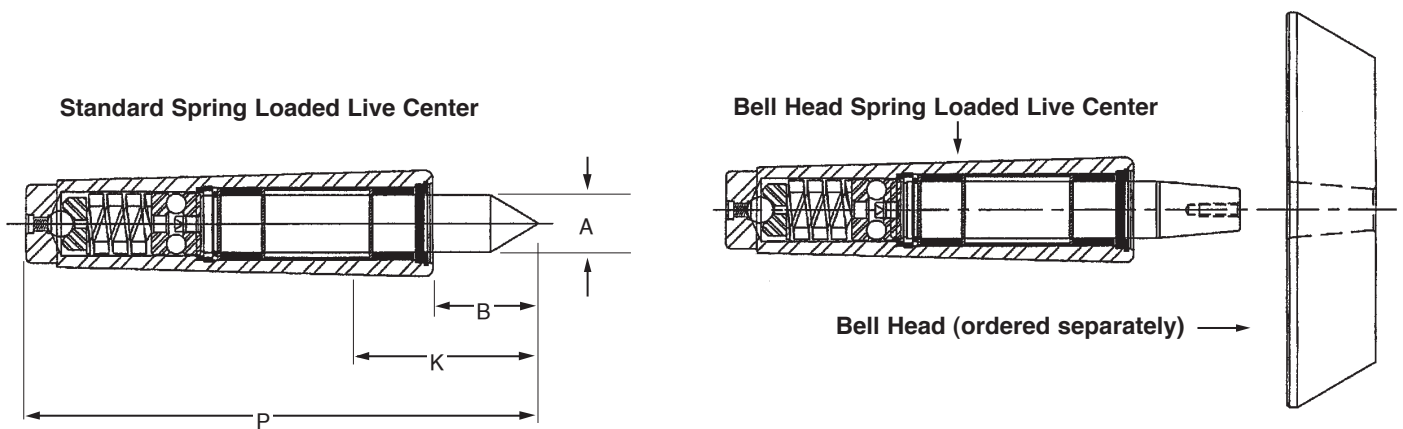




# Standard Spring Loaded and Interchangeable Bell Head Live Centers

- Accuracy to  $\pm .0001$ .
- Spring loaded spindle compensates for thermal expansion.
- Low profile - less overhang, added load capacity, and increased rigidity

Seventy years ago, Concentric pioneered and patented the first spring loaded live center. Today, this streamlined high precision center still features hand-crafted quality with all bearings physically matched and honed to size when necessary.



STANDARD SPRING LOADED LIVE CENTER								
Type	A	B	K*	P	Max Thrust Load	Max Spring Travel	Max W.P. Weight	Max RPM
II	.378	.880	1.380	3.95	173	3/32	274	3000
III	.558	1.160	1.690	4.95	235	1/8	400	3000
IV	.686	1.380	2.380	6.29	780	5/32	960	2000
V	1.075	2.000	2.880	8.02	1088	3/16	1450	1500
VI	1.509	2.812	3.630	11.00	2183	3/16	2500	1500

\* K: Gage line to point typical for Morse Tapers.

**Special lubricating grease required for Concentric centers:**

- 14.5 oz. tube, part no. 17991
- Heavy duty grease gun, part no. 17990
- Low profile grease gun nozzle - # Z737, part no. 17993

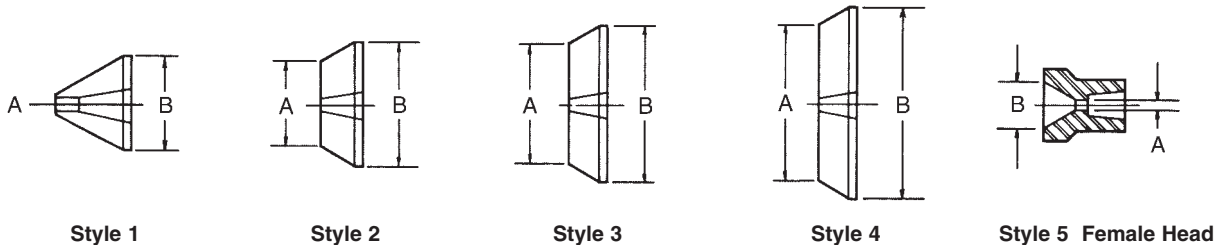
## Standard Spring Loaded Live Centers

TYPE II		TYPE III		TYPE IV		TYPE V		TYPE VI	
Taper	Part No.	Taper	Part No.	Taper	Part No.	Taper	Part No.	Taper	Part No.
2 MT	17102	3 MT	17103	4 MT	17104	5 MT	17105	6 MT	17106
7 B&S	17407	9 B&S	17409	10 B&S	17410	12 B&S	17412	15 B&S	17415
8 B&S	17408	8 Jarno	17208	11 B&S	17411	13 B&S	17413	16 B&S	17416
6 Jarno	17206	9 Jarno	17209	10 Jarno	17210	14 B&S	17414	20 Jarno	17220
7 Jarno	17207	1 SS	17303	11 Jarno	17211	14 Jarno	17214	22 Jarno	17222
5/8 SS	17301	1 1/16 SS	17304	12 Jarno	17212	16 Jarno	17216	2 1/4 SS	17309
3/4 SS	17302	1 1/4 SS	17305	1 1/2 SS	17306	1 3/4 SS	17307	2 1/2 SS	17310
						2 SS	17308	3 SS	17311

## Bell Head Spring Loaded Live Centers

TYPE II		TYPE III		TYPE IV		TYPE V		TYPE VI	
Taper	Part No.	Taper	Part No.	Taper	Part No.	Taper	Part No.	Taper	Part No.
2 MT	17122	3 MT	17123	4 MT	17124	5 MT	17125	6 MT	17126
7 B&S	17427	9 B&S	17429	10 B&S	17430	12 B&S	17432	15 B&S	17435
8 B&S	17428	8 Jarno	17228	11 B&S	17431	13 B&S	17433	16 B&S	17436
6 Jarno	17226	9 Jarno	17229	10 Jarno	17230	14 B&S	17434	20 Jarno	17240
7 Jarno	17227	1 SS	17323	11 Jarno	17231	14 Jarno	17234	22 Jarno	17242
5/8 SS	17321	1 1/16 SS	17324	12 Jarno	17232	16 Jarno	17236	2 1/4 SS	17329
3/4 SS	17322	1 1/4 SS	17325	1 1/2 SS	17326	1 3/4 SS	17327	2 1/2 SS	17330
						2 SS	17328	3 SS	17331

## Interchangeable Bell Head Adapters



Center Type	STYLE 1			STYLE 2			STYLE 3			STYLE 4			STYLE 5		
	Part No.	A	B	Part No.	A	B	Part No.	A	B	Part No.	A	B	Part No.	A	B
II	00231	0.25	1.31	00232	1.24	1.82	00233	1.75	2.33	00234	2.26	2.84	00235	0.13	0.76
III	00331	0.35	1.83	00332	1.72	2.58	00333	2.46	3.32	00334	3.20	4.06	00335	0.19	1.12
IV	00431	0.36	2.27	00432	2.17	3.25	00433	3.14	4.22	00434	4.11	5.19	00435	0.23	1.37
V	00531	0.51	3.33	00532	3.21	4.80	00533	4.60	6.19	00534	6.06	7.65	00535	0.38	2.00
VI	00631	0.68	5.12	(Contact factory for availability).											